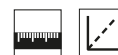


VEGA

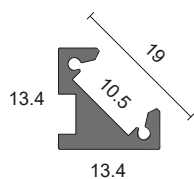
Small-size anodized aluminium 6060 extruded angle profile, designed and produced to be installed with 45° light output. Extremely easy to install, thanks to the brushed snap-in diffuser and concealed magnets. Ideal to house and dissipate LED Strips, and especially suited to illuminate and embellish kitchen and bathroom cabinets, under-wall cupboards, furniture, closets, shelves and display cases.

 EXTRUDED IN ITALY





1:1 SCALE



BASIC CODES

PA.VEGA.

LENGTH

- 1 1000mm
- 2 2000mm
- 3 3000mm

FINISHES

- 1 Matt white RAL9003
- 2 Matt black RAL9005
- 7 Brushed aluminium

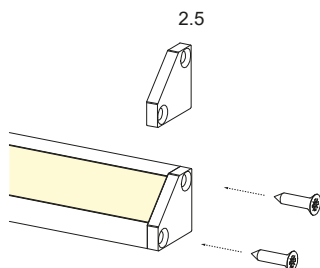
BASIC CODES

SVG1.

FINISHES

- 1 White
- 2 Matt black
- 7 Brushed aluminium

Side aluminium closing support. Easy and quick assembly with M2.2x8 screws supplied.



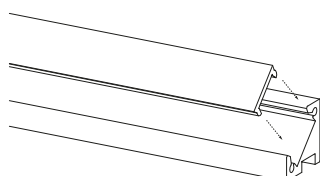
BASIC CODES

PA.12PE41.

LENGTH

- 1 1000mm brushed
- 2 2000mm brushed
- 3 3000mm brushed

Brushed snap-on diffuser. The diffuser can be easily removed for maintenance operations.

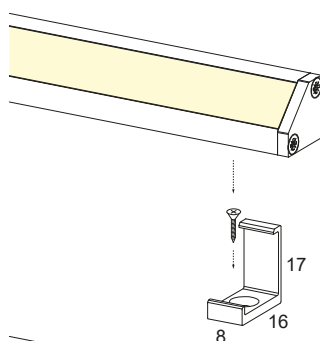


BASIC CODES

SVG2.8

Transparent polycarbonate clip with 12xM2.5 screws for surface mounting on a variety of surfaces.

NB. We recommend No. 1 Clip per 500mm

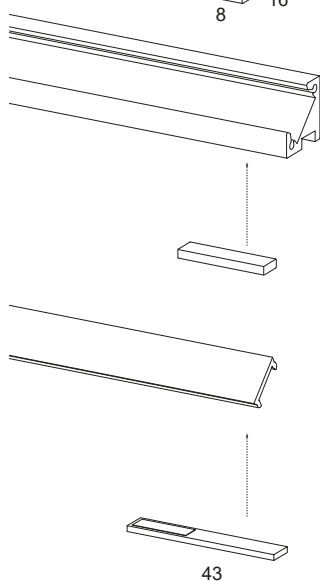


BASIC CODES

NDL40XP5X2

Magnets to glue on for fixing on smooth metal surfaces.

NB. We recommend No. 1 Magnet every 150mm



BASIC CODES

TC22

Rectangular electronic device with ON/OFF TOUCH system. The LED can be switched ON/OFF by gently touching the sensitive device section. To be installed inside the profile, in contact with the diffuser, with the double-sided tape supplied (12Vdc and 24Vdc 3A max.)

Code example: VEGA Profile + 1000mm Length + Brushed Aluminium Finish = Code: PA.VEGA.17